

PONTI RETTIFICATORI

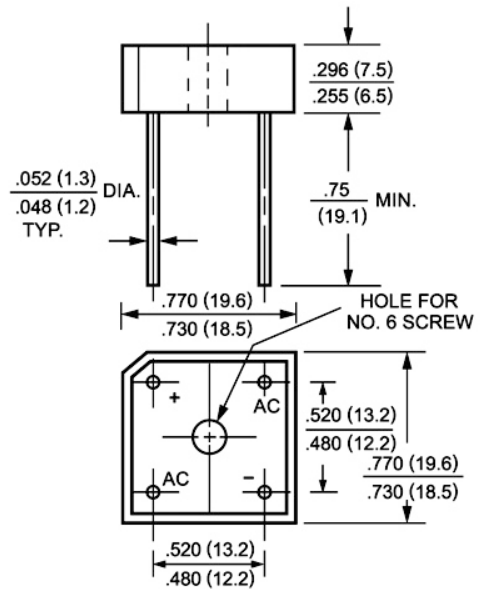
8.0A KBPC8

Codice Adimpex: **YBH82060-L**

PONTE DIODI 8/600 KBPC806 DC **

Serie:KBPC806

p/n:KBPC806 B/P (200)



Codice Adimpex	Tipo	V _{RRM}
YBH82060	KBPC806	600