

**PONTI RETTIFICATORI**

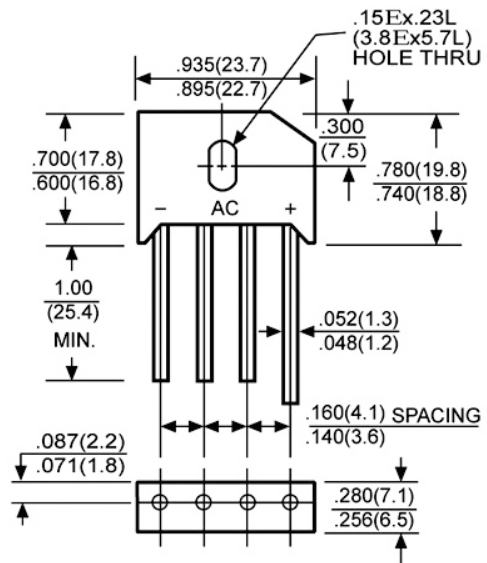
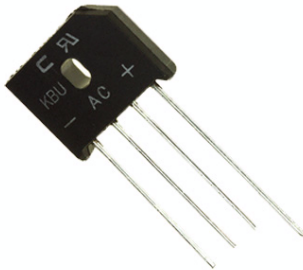
**8.0A KBU**

Codice Adimpex: **YBH80100-L**

PONTE DIODI 8/1000 KBU8M DC \*

Serie:KBU8D; KBU8M

p/n:KBU8M B/P (400)



Codice Adimpex	Tipo	VRRM
YBH80020	KBU8D	200
<b>YBH80100</b>	KBU8M	1000