

**PONTI RETTIFICATORI**

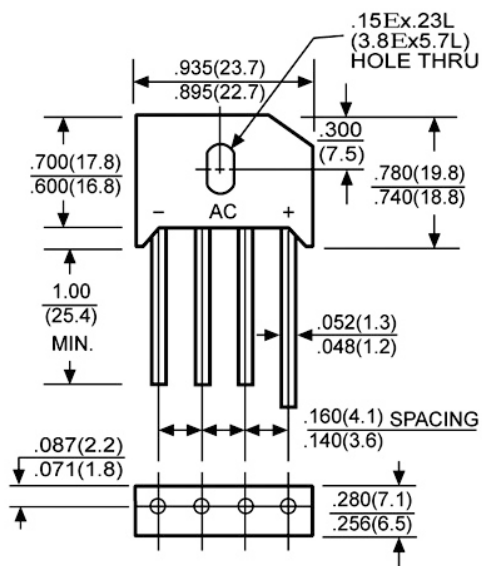
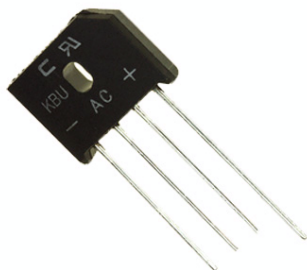
**8.0A KBU**

Codice Adimpex: **YBH80020-L**

PONTE DIODI 8/200 KBU8D DC

Serie: KBU8D; KBU8M

p/n: KBU8D B/P (400)



Codice Adimpex	Tipo	V <sub>RRM</sub>
<b>YBH80020</b>	KBU8D	200
YBH80100	KBU8M	1000