

DIODI RETTIFICATORI STANDARD

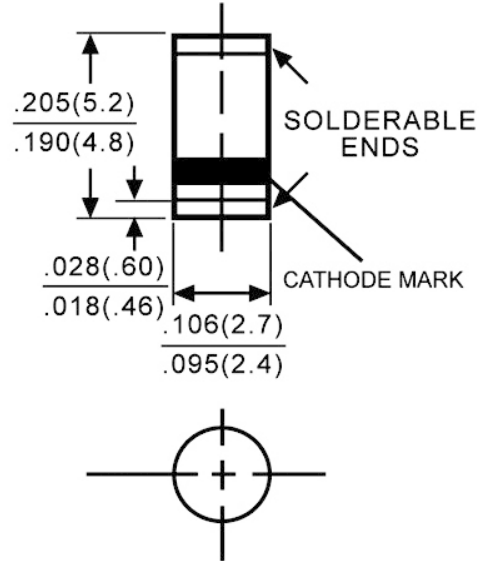
1.0A SMD SM-1

Codice Adimpex: **YBA05100-L**

DIODO MELF GP 1/1000 SM4007 DC**

Serie: SM4004; SM4007

p/n: SM4007 T/R-7"(1,500)



Codice Adimpex	Tipo	VRRM
YBA05040	SM4004	400
YBA05100	SM4007	1000