

**TERMOSTATI**

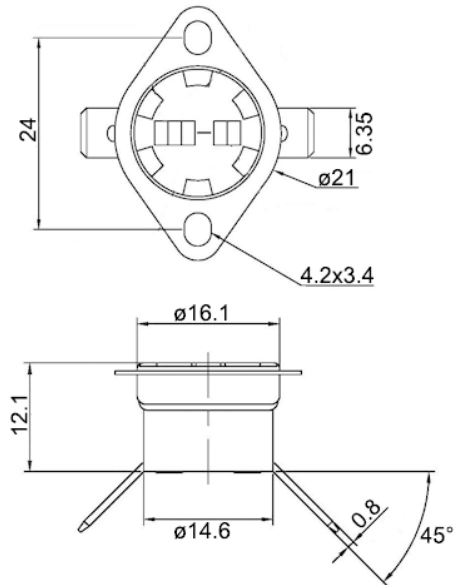
**Serie T24**

Codice Adimpex: **VG013120-R**

TERMOST.10A T24B120A0T2 120NO

Serie:T24

p/n:T24B120A0T2-20



Codice Adimpex	temp	tipo	Codice Adimpex	temp	tipo
VG012050	50°C	NC	VG013050	50°C	NO
VG012060	60°C	NC	VG013060	60°C	NO
VG012070	70°C	NC	VG013070	70°C	NO
VG012080	80°C	NC	VG013080	80°C	NO
VG012090	90°C	NC	VG013090	90°C	NO
VG012100	100°C	NC	VG013100	100°C	NO
VG012110	110°C	NC	VG013110	110°C	NO
VG012120	120°C	NC	<b>VG013120</b>	120°C	NO

*CARATTERISTICHE*

- Portata:  
12A 125V AC  
10A 250V AC  
16A 250V AC
- Gamma di temperatura: 50°C ÷ 175°C
- Differenziale: 10K ÷ 30K (15K std.)
- Tolleranza in temperatura: ±3K
- Resistenza di contatto: 50mΩ max.
- Resistenza di isolamento: 100MΩ min. 500V DC
- Rigidità dielettrica: 1000V AC per 1 minuto
- Vita operativa: 10000 cicli

*FEATURES*

- Rating:  
12A 125V AC  
10A 250V AC  
16A 250V AC
- Operating temperature: 50°C ÷ 175°C
- Differential: 10K ÷ 30K (15K std.)
- Temperature tolerance: ±3K
- Contact resistance: 50mΩ max.
- Insulation resistance: 100MΩ min. 500V DC
- Dielectric strenght: 1000V AC for 1 minute
- Operating life: 10000 cycles