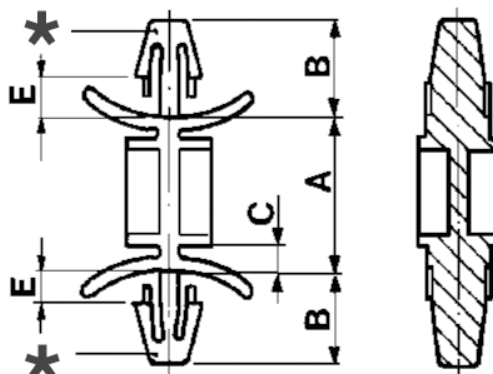


**Supporti P.C.B.**

Codice Adimpex: **VC011364-R**

5359/9/////05 SUPPORTO NY. NEUT

Serie:5359



\* Foro per fissaggio:  $\varnothing 4.75$  mm

Codice Adimpex	A	B	C	E	colore
VC011360	8.6	7.5	2.2	1.5 ÷ 2.6	neutro
<b>VC011364</b>	11.7	7.5	2.2	1.5 ÷ 2.6	neutro
VC011370	14.8	7.5	2.2	1.5 ÷ 2.6	neutro
VC011380	18.0	7.5	2.2	1.5 ÷ 2.6	neutro
VC011393	21.2	7.5	2.2	1.5 ÷ 2.6	neutro
VC011396	24.2	7.5	2.2	1.5 ÷ 2.6	neutro