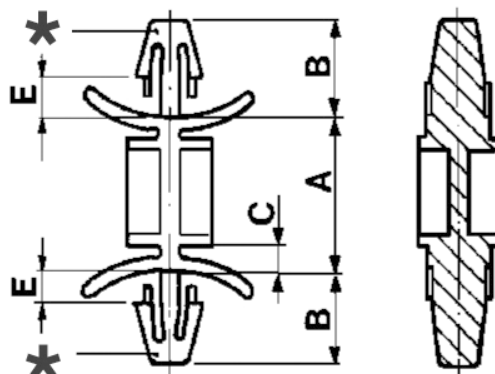


Supporti P.C.B.

Codice Adimpex: **VC011211-R**

5359/4/9//05 SUPPORTO NY. NEUT

Serie:5359/4



* Foro per fissaggio: $\varnothing 4$ mm

Codice Adimpex	A	B	C	E	colore
VC011208	8.6	6.8	2.2	1.5 ÷ 2.6	neutro
VC011211	11.7	6.8	2.2	1.5 ÷ 2.6	neutro
VC011214	14.8	6.8	2.2	1.5 ÷ 2.6	neutro
VC011218	18.0	6.8	2.2	1.5 ÷ 2.6	neutro
VC011224	24.2	6.8	2.2	1.5 ÷ 2.6	neutro