

DISSIPATORI

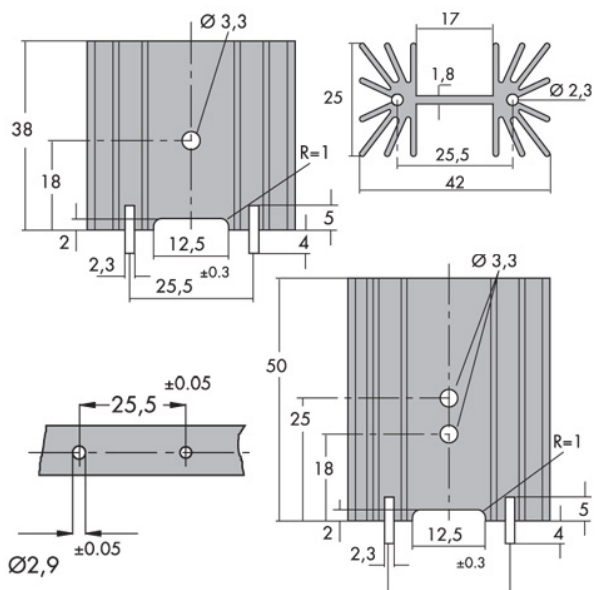
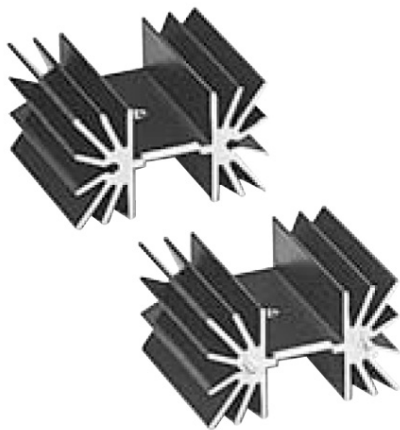
8337 ST

Codice Adimpex: **PD000380-R**

DISS.8337/38/ST PINS 2,3**

Serie:8337

p/n:P0003690



| Codice Adimpex | RTH (°C/W) | H (mm) | Pin (mm) |
|-----------------|------------|--------|----------|
| PD000376 | 13.0 | 25 | - |
| PD000377 | 13.0 | 25 | ø 2.3 |
| PD000378 | 10.5 | 38 | - |
| PD000380 | 10.5 | 38 | ø 2.3 |
| PD000385 | 8.5 | 50 | - |
| PD000387 | 8.5 | 50 | ø 2.3 |