

**DISSIPATORI**

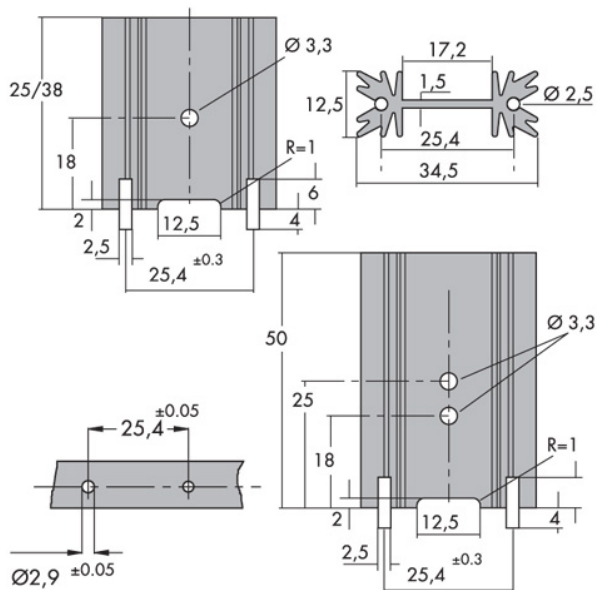
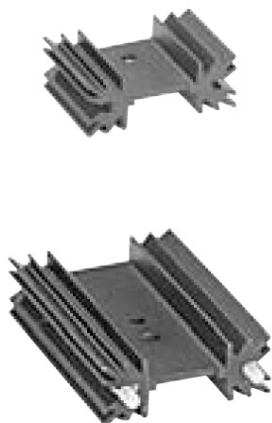
**8358 ST**

Codice Adimpex: **PD000310-R**

DISS.8358/25/ST PIN 2.5

Serie:8358

p/n:P0003752



Codice Adimpex	RTH (°C/W)	H (mm)	Pin (mm)
PD000309	14.0	25	-
<b>PD000310</b>	14.0	25	Ø 2.5
PD000312	11.5	38	-
PD000315	11.5	38	Ø 2.5
PD000316	9.5	50	-
PD000317	9.5	50	Ø 2.5