

DISSIPATORI

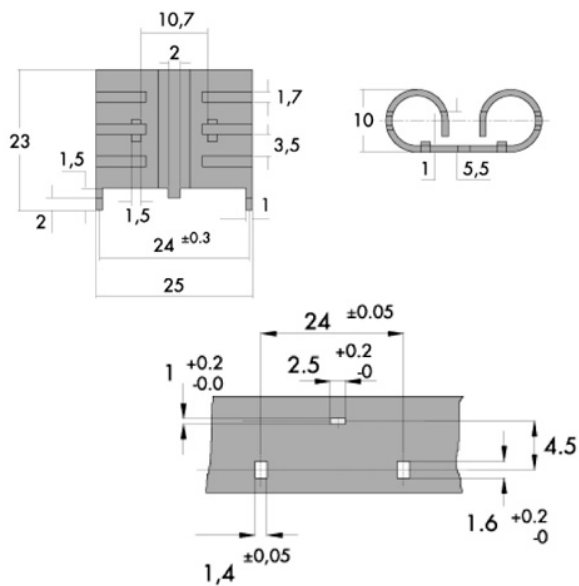
8162/20/ST

Codice Adimpex: **PD000300-R**

DISS.8162/20/ST TO-220

Serie:8162

p/n:00003460



Codice
Adimpex
PD000300

RTH
(°C/W)
32