

DISSIPATORI

8152/20/ST pin

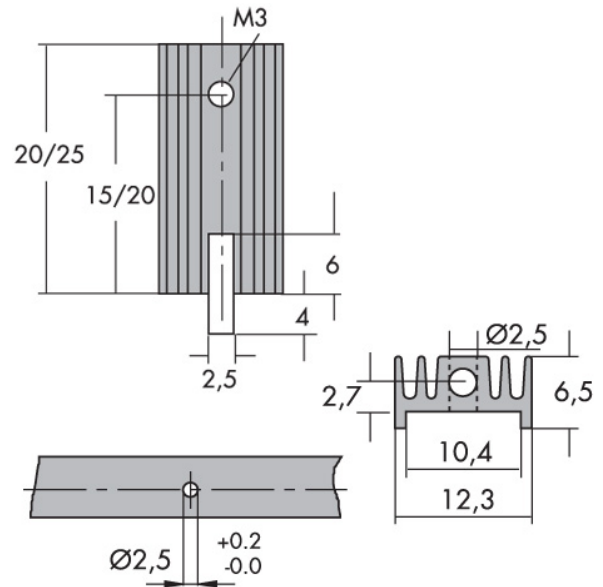
8152/25/ST pin

Codice Adimpex: **PD000293-R**

DISS.8152/25/ST PIN 2,5

Serie:8152

p/n:P0003430



Codice Adimpex	RTH (°C/W)	H (mm)
PD000292	41	20
PD000293	39	25