

DISSIPATORI

8152/20/ST

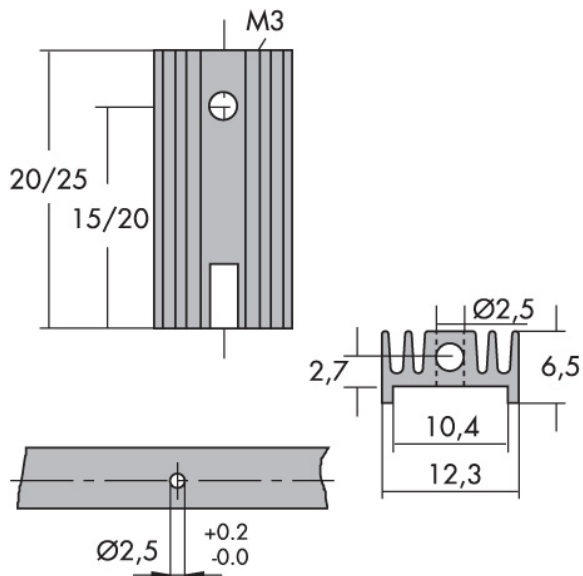
8152/25/ST

Codice Adimpex: **PD000290-R**

DISS.8152/25/ST TO-220

Serie:8152

p/n:00003430



Codice Adimpex	RTH (°C/W)	H (mm)
PD000275	41	20
PD000290	39	25