

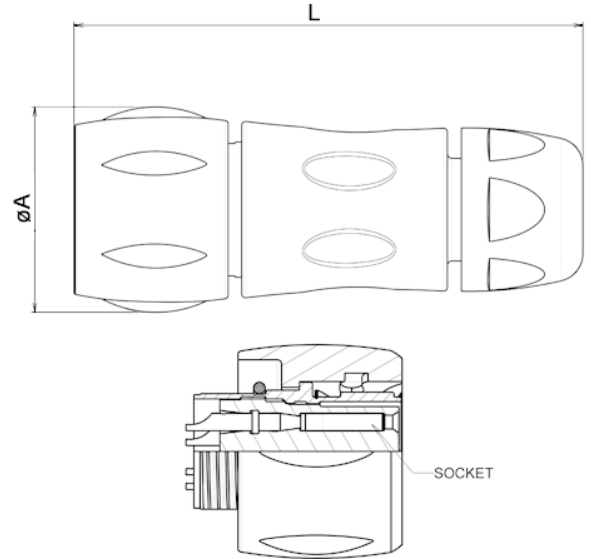
Connettore volante IP68 per contatti femmina $\phi 1.0\text{mm}$

Codice Adimpex: **PB02009-R**

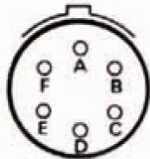
UTS6JC1419S FM. VOL. 1.0

Serie:UTS6JC-S

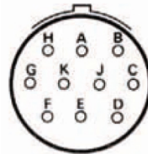
p/n:UTS6JC1419S



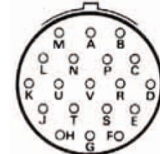
Codice Adimpex	tipo	n. pin	ϕA	L
PB020001	106	6	26.2	63.2
PB020005	1210	10	30.1	66.7
PB020009	1419	19	35.1	70.0



106
6A max.



1210
6A max.



1419
4A max.