

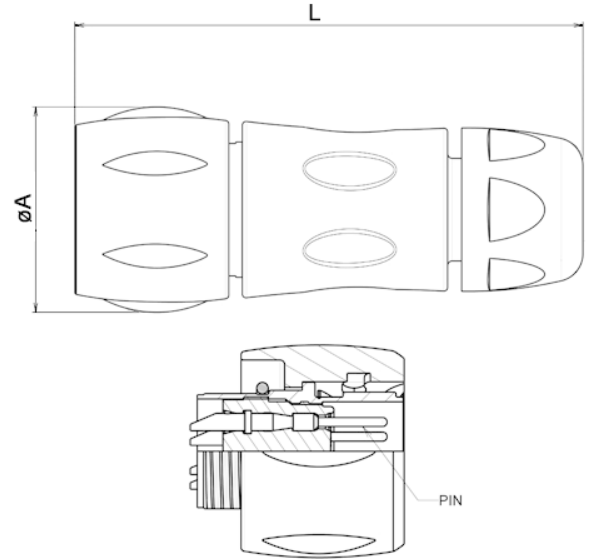
**Connettore volante IP68 per contatti maschio  
ø1.0mm**

Codice Adimpex: **PB020007-R**

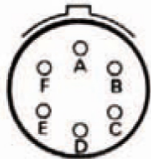
UTS6JC1210P MS. VOL. 1.0

Serie:UTS6JC-P

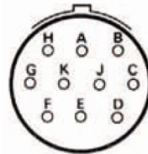
p/n:UTS6JC1210P



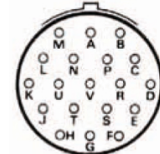
| Codice Adimpex  | tipo | n. pin | øA   | L    |
|-----------------|------|--------|------|------|
| PB020003        | 106  | 6      | 26.2 | 63.2 |
| <b>PB020007</b> | 1210 | 10     | 30.1 | 66.7 |
| PB020011        | 1419 | 19     | 35.1 | 70.0 |



106  
6A max.



1210  
6A max.



1419  
4A max.