

INDICATORI AUDIO PIEZO CON CIRCUITO DI PILOTAGGIO (MONTAGGIO A PANNELLO)

PK/PF/PL-27N35EPQ

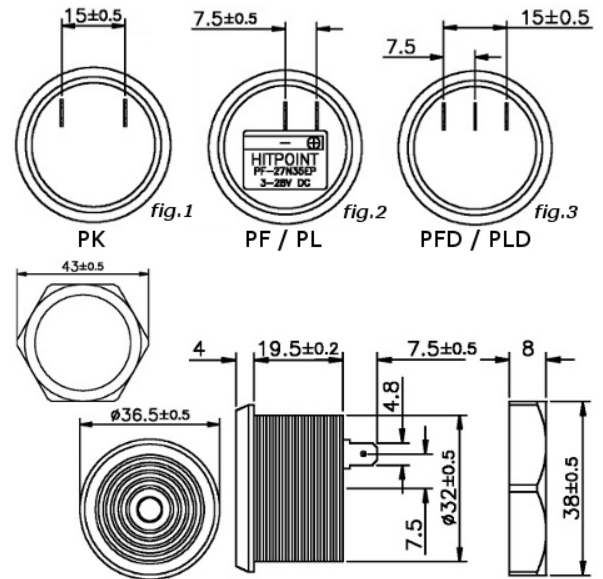
PFD/PLD-27N35EPQ

Codice Adimpex: **NBH06530-R**

INDIC.AUDIO PZ PA PK-27N35EP-Q

Serie:PK; PF; PL; PFD; PLD

p/n:PK-27N35EP-Q



| Codice Adimpex | Freq. di risonanza (Hz) ± 500 | Tensione di lavoro (V) | Min. livello sonoro (dB) @ 30cm | Tono | Assorbimento (mA) max. | fig. |
|-----------------|-------------------------------|------------------------|---------------------------------|-------------------------|------------------------|------|
| NBH06530 | 3500 | 3.0 ÷ 28 | 90 @ 12V DC | Costante | 15 @ 12V DC | 1 |
| NBH06600 | 3500 | 3.0 ÷ 28 | 90 @ 12V DC | Fast pulse 3.0 Hz | 15 @ 12V DC | 2 |
| NBH06610 | 3500 | 3.0 ÷ 28 | 90 @ 12V DC | Slow pulse 1.2 Hz | 15 @ 12V DC | 2 |
| NBH06652 | 3500 | 3.0 ÷ 28 | 90 @ 12V DC | Const. + Fast 3.0 Hz | 15 @ 12V DC | 3 |
| NBH06660 | 3500 | 3.0 ÷ 28 | 90 @ 12V DC | Const. + Slow 1.2 Hz | 15 @ 12V DC | 3 |