

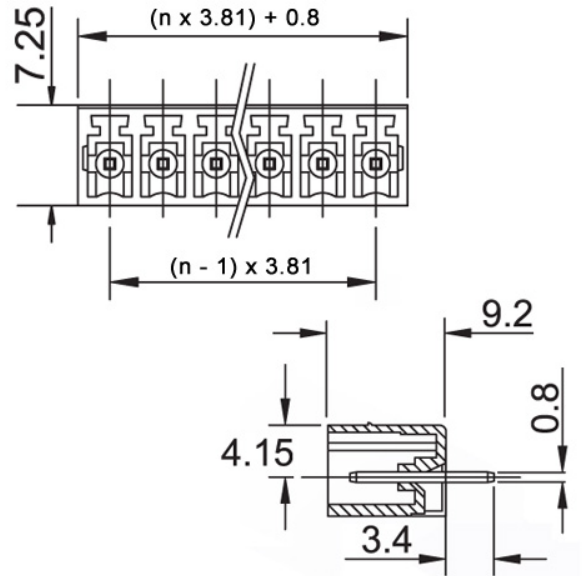
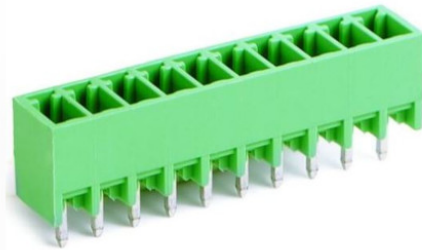
Morsettieria verticale a carrello passo 3.81mm

Codice Adimpex: **MK742936GO**

MORS. 15EGTVC-3.81-02P-14-00AH mVE verde

Serie:329

p/n:15EGTVC-3.81-02P-14-



Codice Adimpex	n. poli	portata	AWG
MK742932	2	8 A	16÷28
MK742933	3	8 A	16÷28
MK742934	4	8 A	16÷28
MK742935	5	8 A	16÷28
MK742936	6	8 A	16÷28
MK742937	7	8 A	16÷28
MK742938	8	8 A	16÷28

Codice Adimpex	n. poli	portata	AWG
MK742939	9	8 A	16÷28
MK742940	10	8 A	16÷28
MK742941	11	8 A	16÷28
MK742942	12	8 A	16÷28
MK742943	13	8 A	16÷28
MK742944	14	8 A	16÷28
MK742945	15	8 A	16÷28