

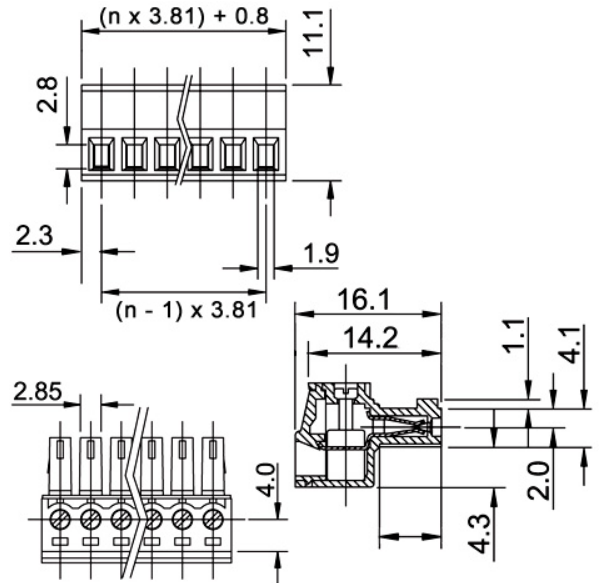
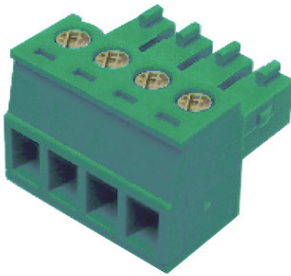
Morsettiere volante a carrello passo 3.81mm

Codice Adimpex: **MK742809GO**

MORS. 15EGTK-3.81-09P-14-00AH fVL verde

Serie:328

p/n:15EGTK-3.81-09P-14-0



Codice Adimpex	n° poli	Portata	AWG
MK742802	2	8 A	16÷28
MK742803	3	8 A	16÷28
MK742804	4	8 A	16÷28
MK742805	5	8 A	16÷28
MK742806	6	8 A	16÷28
MK742807	7	8 A	16÷28
MK742808	8	8 A	16÷28

Codice Adimpex	n° poli	Portata	AWG
MK742809	9	8 A	16÷28
MK742810	10	8 A	16÷28
MK742811	11	8 A	16÷28
MK742812	12	8 A	16÷28
MK742813	13	8 A	16÷28
MK742814	14	8 A	16÷28
MK742815	15	8 A	16÷28