

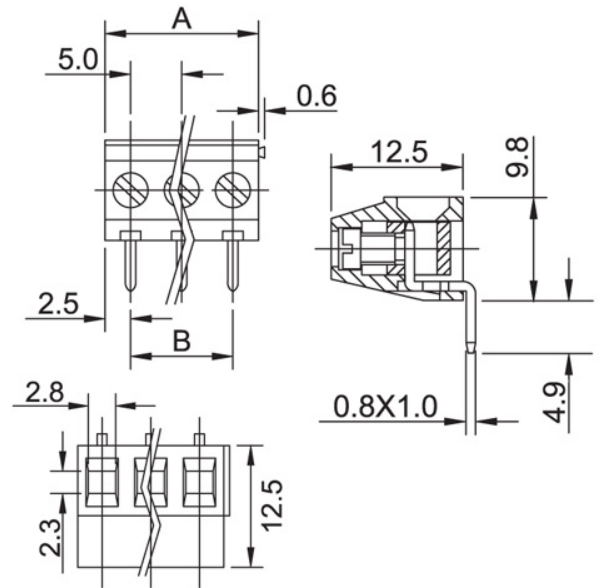
Morsettera a carrello passo 5.00/10.00mm

Codice Adimpex: **MK157603GO**

MORS. GT128R-5.0-03P-14-00AH HO verde

Serie:376

p/n:GT128R-5.0-03P-14-00



| Codice Adimpex | passo | portata | AWG | n. poli | A | B | colore |
|----------------|---------|---------|-------|---------|----------|--------------|--------|
| MK157602 | 5.00 mm | 20 A | 14÷22 | 2 | n x 5.00 | (n-1) x 5.00 | nero |
| MK157603 | 5.00 mm | 20 A | 14÷22 | 3 | n x 5.00 | (n-1) x 5.00 | nero |
| MK227602 | 10.0 mm | 20 A | 14÷22 | 2 | n x 10.0 | (n-1) x 10.0 | nero |
| MK227603 | 10.0 mm | 20 A | 14÷22 | 3 | n x 10.0 | (n-1) x 10.0 | nero |