

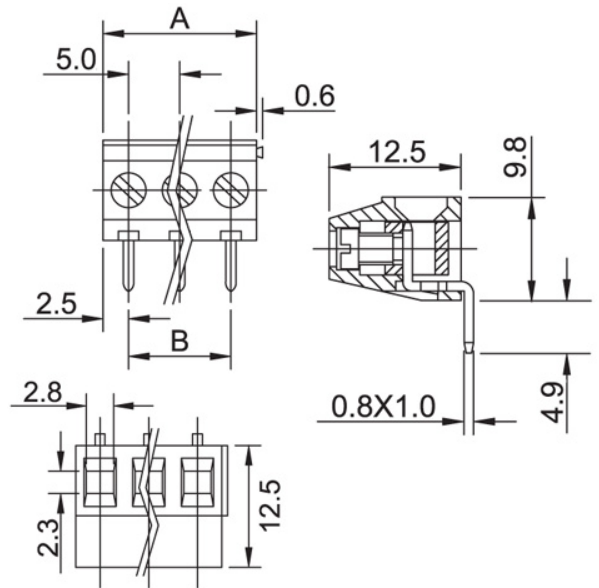
**Morsettieria a carrello passo 5.00/10.00mm**

Codice Adimpex: **MK157602GO**

MORS. GT128R-5.0-02P-14-00AH HO verde

Serie:376

p/n:GT128R-5.0-02P-14-00



Codice Adimpex	passo	portata	AWG	n. poli	A	B	colore
<b>MK157602</b>	5.00 mm	20 A	14÷22	2	n x 5.00	(n-1) x 5.00	nero
<b>MK157603</b>	5.00 mm	20 A	14÷22	3	n x 5.00	(n-1) x 5.00	nero
<b>MK227602</b>	10.0 mm	20 A	14÷22	2	n x 10.0	(n-1) x 10.0	nero
<b>MK227603</b>	10.0 mm	20 A	14÷22	3	n x 10.0	(n-1) x 10.0	nero