

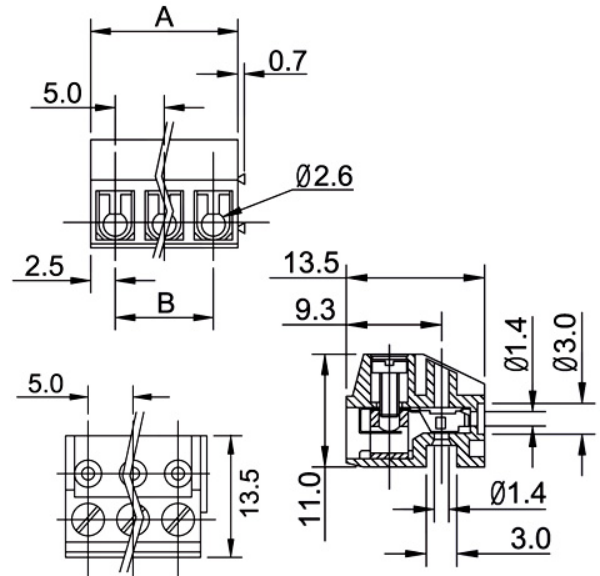
**Morsettiera passo 5.00/10.00mm**

Codice Adimpex: **MK152003GO**

MORS. GT332K-5.0-03P-12-00AH UN blu

Serie:320

p/n:GT332K-5.0-03P-12-00



Codice Adimpex	passo	portata	AWG	n. poli	A	B	colore
MK152002	5.00 mm	16 A	16÷28	2	n x 5.00	(n-1) x 5.00	nero
MK152003	5.00 mm	16 A	16÷28	3	n x 5.00	(n-1) x 5.00	nero
MK222002	10.0 mm	16 A	16÷28	2	n x 10.0	(n-1) x 10.0	nero
MK222003	10.0 mm	16 A	16÷28	3	n x 10.0	(n-1) x 10.0	nero