

**RISONATORI CERAMICI**

**Alta frequenza**

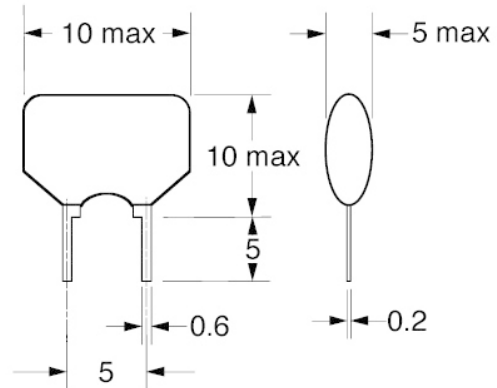
**2 terminali**

Codice Adimpex: **LR080000-L**

RISONATORE CERAMICO 8MHz

Serie:CR

p/n:CR8000M



Codice Adimpex	Frequenza	Tolleranza	Impedenza	C1	C2
LR010000	1.0 MHz	± 0.5 kHz	200 Ω	30 pF	30 pF
LR020000	2.0 MHz	± 0.5 kHz	200 Ω	30 pF	30 pF
LR040000	4.0 MHz	± 0.5 kHz	30 Ω	30 pF	30 pF
LR050000	5.0 MHz	± 0.5 kHz	30 Ω	30 pF	30 pF
LR055000	5.5 MHz	± 0.5 kHz	30 Ω	30 pF	30 pF
LR060000	6.0 MHz	± 0.5 kHz	30 Ω	30 pF	30 pF
<b>LR080000</b>	8.0 MHz	± 0.5 kHz	30 Ω	30 pF	30 pF

*CARATTERISTICHE*

- Gamma di frequenza fornibile:  
bassa frequenza: 190 ÷ 1050 kHz  
alta frequenza: 1.00 ÷ 25.99 MHz

*FEATURES*

- Available frequency range:  
low frequency: 190 ÷ 1050 kHz  
high frequency: 1.00 ÷ 25.99 MHz