

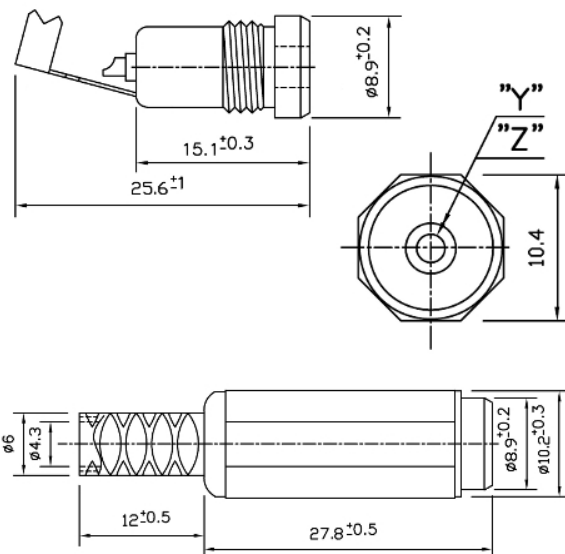
Jack DC

Codice Adimpex: **GLP01355-R**

SPINA ALIMENTAZ.8819B 2.5/5.5 TW

Serie:8819

p/n:8819B 2.5/5.5 DC J.



Codice Adimpex	Dimensioni (mm)	
	Y	Z
GLP01345	$\varnothing 1.3$	$\varnothing 3.5$
GLP01351	$\varnothing 2.1$	$\varnothing 5.5$
GLP01355	$\varnothing 2.5$	$\varnothing 5.5$