

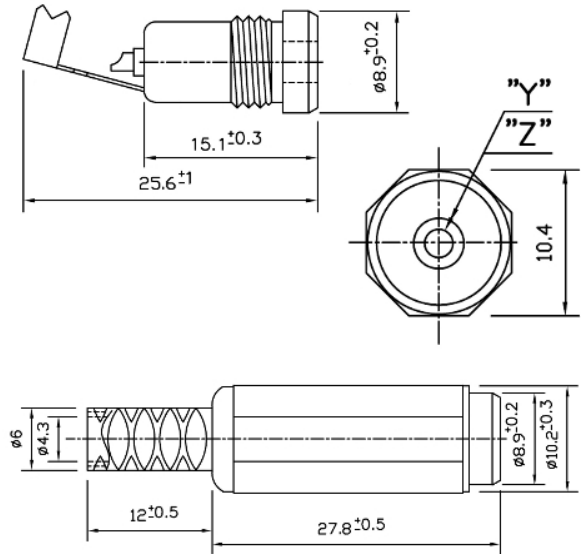
Jack DC

Codice Adimpex: **GLP01351-R**

SPINA ALIMENTAZ.8819A 2.1/5.5 TW

Serie:8819

p/n:8819A 2.1/5.5 DC J.



| Codice Adimpex | Dimensioni (mm) | |
|-----------------|-----------------|------------|
| | Y | Z |
| GLP01345 | ϕ 1.3 | ϕ 3.5 |
| GLP01351 | ϕ 2.1 | ϕ 5.5 |
| GLP01355 | ϕ 2.5 | ϕ 5.5 |