

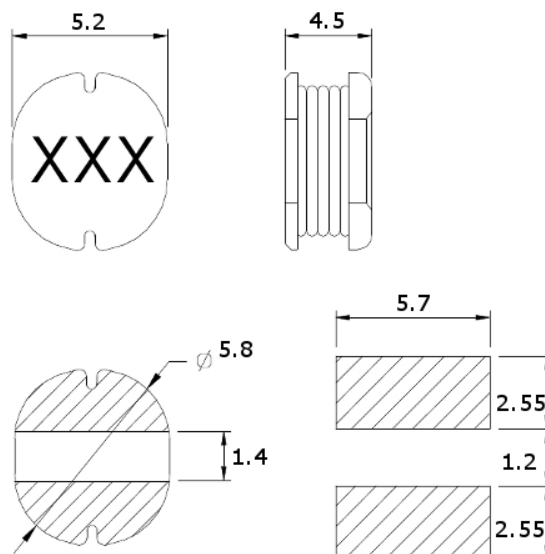
Serie YC54T

Codice Adimpex: **FJ024068CO**

IND. SMD DA54-680K 68uH 0.61A

Serie: YC54T

p/n: DA54NP-680K



Codice Adimpex	L (μH)±20%	DCR (Ω) max.	DCI (A) max.	Codice Adimpex	L (μH)±20%	DCR (Ω) max.	DCI (A) max.
FJ024010	10	0.10	1.44	FJ024068	68	0.46	0.61
FJ024012	12	0.12	1.40	FJ024082	82	0.60	0.58
FJ024015	15	0.14	1.30	FJ024110	100	0.70	0.52
FJ024018	18	0.15	1.23	FJ024112	120	0.93	0.48
FJ024022	22	0.18	1.11	FJ024115	150	1.10	0.40
FJ024027	27	0.20	0.97	FJ024118	180	1.38	0.38
FJ024033	33	0.23	0.88	FJ024122	220	1.57	0.35
FJ024039	39	0.32	0.80	FJ024127	270	1.60	0.30
FJ024047	47	0.37	0.72	FJ024133	330	2.00	0.25
FJ024056	56	0.42	0.68	FJ024147	470	3.00	0.25

DCI: valore della corrente in corrispondenza di una riduzione di induttanza pari al 10%