

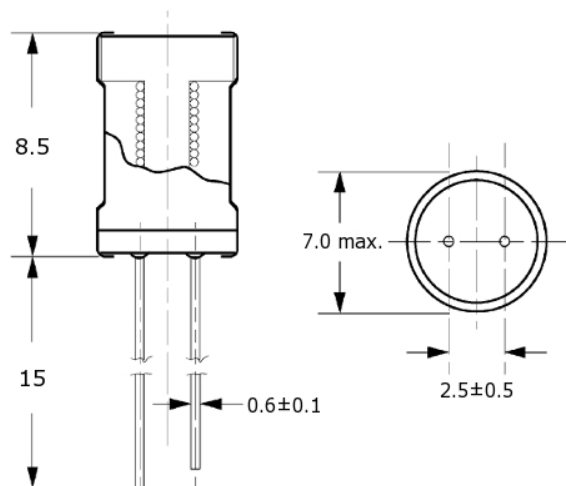
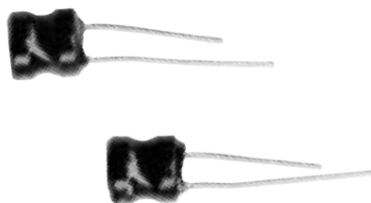
INDUTTORI DI BLOCCO RADIALI

Serie CW57

Codice Adimpex: **FH057.68-R**

IND RD CW57-6R8MNP 6.8uH 1900mA

p/n: CW57-6R8M-NP



| Codice Adimpex | L (μ H) | DCR (Ω)max. | DCI (mA)max. | Codice Adimpex | L (μ H) | DCR (Ω)max. | DCI (mA)max. | Codice Adimpex | L (μ H) | DCR (Ω)max. | DCI (mA)max. |
|-----------------|-----------------|-------------------------|-----------------|----------------|-----------------|-------------------------|-----------------|----------------|-----------------|-------------------------|-----------------|
| FH057.10 | 1.0 | 0.013 | 5600 | FH057039 | 39 | 0.21 | 800 | FH057215 | 1500 | 5.2 | 110 |
| FH057.12 | 1.2 | 0.015 | 4800 | FH057047 | 47 | 0.25 | 750 | FH057218 | 1800 | 6.8 | 100 |
| FH057.15 | 1.5 | 0.016 | 4200 | FH057056 | 56 | 0.33 | 700 | FH057222 | 2200 | 7.9 | 90 |
| FH057.18 | 1.8 | 0.018 | 3800 | FH057068 | 68 | 0.41 | 620 | FH057227 | 2700 | 9.8 | 80 |
| FH057.22 | 2.2 | 0.020 | 3400 | FH057082 | 82 | 0.46 | 580 | FH057233 | 3300 | 12 | 70 |
| FH057.27 | 2.7 | 0.024 | 3200 | FH057110 | 100 | 0.38 | 400 | FH057239 | 3900 | 15 | 65 |
| FH057.33 | 3.3 | 0.026 | 3000 | FH057112 | 120 | 0.43 | 380 | FH057247 | 4700 | 17 | 55 |
| FH057.39 | 3.9 | 0.030 | 2600 | FH057115 | 150 | 0.55 | 330 | FH057256 | 5600 | 22 | 52 |
| FH057.47 | 4.7 | 0.036 | 2300 | FH057118 | 180 | 0.63 | 310 | FH057268 | 6800 | 25 | 48 |
| FH057.56 | 5.6 | 0.041 | 2100 | FH057122 | 220 | 0.73 | 280 | FH057282 | 8200 | 29 | 44 |
| FH057.68 | 6.8 | 0.048 | 1900 | FH057127 | 270 | 0.88 | 260 | FH057310 | 10000 | 33 | 40 |
| FH057.82 | 8.2 | 0.060 | 1800 | FH057133 | 330 | 1.10 | 220 | FH057312 | 12000 | 44 | 36 |
| FH057010 | 10 | 0.065 | 1700 | FH057139 | 390 | 1.40 | 200 | FH057315 | 15000 | 52 | 32 |
| FH057012 | 12 | 0.081 | 1500 | FH057147 | 470 | 1.70 | 180 | FH057318 | 18000 | 69 | 28 |
| FH057015 | 15 | 0.097 | 1300 | FH057156 | 560 | 2.00 | 170 | FH057322 | 22000 | 80 | 26 |
| FH057018 | 18 | 0.110 | 1200 | FH057168 | 680 | 2.30 | 150 | FH057327 | 27000 | 94 | 22 |
| FH057022 | 22 | 0.130 | 1000 | FH057182 | 820 | 2.60 | 140 | FH057333 | 33000 | 138 | 20 |
| FH057027 | 27 | 0.150 | 950 | FH057210 | 1000 | 3.20 | 130 | FH057339 | 39000 | 156 | 18 |
| FH057033 | 33 | 0.160 | 880 | FH057212 | 1200 | 4.20 | 120 | FH057347 | 47000 | 178 | 16 |

Tolleranza: $\pm 20\%$ (M) - $1.0 \leq L \leq 8.2$
 $\pm 10\%$ (K) - $L \geq 10$

CARATTERISTICHE

- Core: ferrite
- Filo: rame smaltato
- Terminali: rame stagnato
- Rivestimento: guaina termorestringente
- DCI max.: valore per cui si ha una riduzione del 10% dell'induttanza

FEATURES

- Core: ferrite
- Wire: polyurethane enameled copper wire
- Lead wire: soldered copper wire
- Tube: shrinkable tube
- DCI max.: value when the inductance decreases of 10%

