

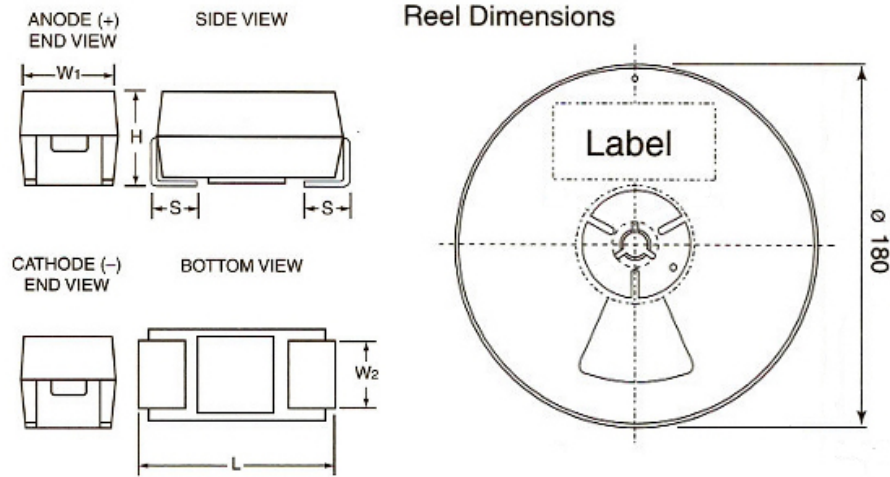
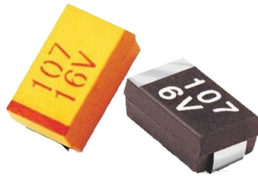
CONDENSATORI AL TANTALIO IN CHIP

Serie CS

Codice Adimpex: **DTC01025-R**

COND. EL. TANT. Msmd 10uF 25V -C

p/n: CSC1E106MTR RoHS



Codice Case

DTA =
codici per il
case A

DTB =
codici per il
case B

DTC =
codici per il
case C

DTD =
codici per il
case D

| Tensione (V) | 6.3 | 10 | 16 | 20 | 25 | 35 | 50 |
|---------------|--|----------------------------------|----------------------------------|----------------------------------|----------------------------------|----------------------------------|----------------------------------|
| Capacità (uF) | Codice Adimpex | | | | | | |
| 0.1 | | | | | | DTA-1035 | DTA-1050 DTB-1050 |
| 0.15 | | | | | | DTA-1535 | DTA-1550 DTB-1550 |
| 0.22 | | | | | | DTA-2235 | DTA-2250 DTB-2250 |
| 0.33 | | | | | DTA-3325 | DTA-3335 | DTB-3350 |
| 0.47 | | | | DTA-4720 | DTA-4725 | DTA-4735 | DTB-4750 DTB-4735 DTC-4750 |
| 0.68 | | | DTA-6816 | DTA-6820 | DTA-6825 | DTA-6835 | DTB-6850 DTB-6835 DTC-6850 |
| 1.0 | | DTA.1010 | DTA.1016 DTB.1016 | DTA.1020 DTB.1020 | DTA.1025 DTB.1025 | DTA.1035 DTB.1035 DTC.1035 | DTB.1050 DTC.1050 |
| 1.5 | DTA.1506 | DTA.1510 | DTA.1516 DTB.1516 | DTA.1520 DTB.1520 | DTA.1525 DTB.1525 | DTA.1535 DTB.1535 DTC.1535 | DTA.1550 DTB.1550 DTC.1550 |
| 2.2 | DTA.2206 | DTA.2210 | DTA.2216 DTB.2216 | DTA.2220 DTB.2220 | DTA.2225 DTB.2225 | DTB.2235 DTC.2235 | DTD.2250 |
| 3.3 | DTA.3306 | DTA.3310 | DTA.3316 DTB.3316 | DTA.3320 DTB.3320 | DTA.3325 DTB.3325 DTC.3325 | DTB.3335 DTC.3335 DTD.3335 | DTD.3350 |
| 4.7 | DTA.4706 | DTA.4710 | DTA.4716 DTB.4716 | DTA.4720 DTB.4720 DTC.4720 | DTA.4725 DTB.4725 DTC.4725 | DTC.4735 DTD.4735 | |
| 6.8 | DTA.6806 | DTA.6810 DTB.6810 | DTA.6816 DTB.6816 | DTB.6820 DTC.6820 | DTB.6825 DTC.6825 | DTC.6835 DTD.6835 | |
| 10 | DTA01006 DTB01006 | DTA01010 DTB01010 | DTA01016 DTB01016 DTC01016 | DTB01020 DTC01020 | DTB01025 DTC01025 DTD01025 | DTC01035 DTD01035 | |
| 15 | DTA01506 DTB01506 | DTA01510 DTB01510 DTC01510 | DTB01516 | DTC01520 DTD01520 | DTC01525 DTD01525 | DTD01535 | |
| 22 | DTA02206 DTB02206 DTC02206 | DTA02210 DTB02210 DTC02210 | DTB02216 DTC02216 DTD02216 | DTC02220 DTD02220 | DTC02225 DTD02225 | | |
| 33 | DTA03306 DTB03306 DTC03306 | DTB03310 DTC03310 DTD03310 | DTC03316 DTD03316 | DTC03320 DTD03320 | DTD03325 | | |
| 47 | DTA04706 DTB04706 DTC04706 DTD04706 | DTB04710 DTC04710 DTD04710 | DTC04716 DTD04716 | DTD04720 | DTD04725 | | |
| 68 | DTB06806 DTC06806 DTD06806 | DTB06810 DTC06810 DTD06810 | DTD06816 | DTD06820 | | | |

| | | | |
|-----|----------------------------------|----------------------|----------|
| 100 | DTB11006 DTC11006 DTD11006 | DTC11010 DTD11010 | DTD11016 |
| 150 | DTC11506 DTD11506 | DTD11510 | |
| 220 | DTC12206 DTD12206 | DTD12210 | |
| 330 | DTD13306 | | |
| 470 | DTD14706 | | |

CARATTERISTICHE

- Tolleranza: $\pm 20\%$
- Gamma di temperatura: $-55^{\circ}\text{C} \div +125^{\circ}\text{C}$
- Tensioni di lavoro: $4\text{V} \div 50\text{V}$
- Corrente di fuga: $\leq 0.01\text{ CV} [\mu\text{A}]$
o $0.5\mu\text{A}$ il maggiore dei due
- Prove di vita: 1000 ore a 125°C

FEATURES

- *Capacitance tolerance: $\pm 20\%$*
- *Operating temperature range: $-55^{\circ}\text{C} \div +125^{\circ}\text{C}$*
- *Operating voltage: $4\text{V} \div 50\text{V}$*
- *Leakege current: $\leq 0.01\text{ CV} [\mu\text{A}]$ o $0.5\mu\text{A}$ whichever is greater*
- *Load life: 1000 hours at 125°C*

Dimensioni (mm)

| Case | L ± 0.2 | W1 ± 0.2 | H ± 0.2 | S ± 0.2 | W2 ± 0.2 |
|------|-------------|--------------|-------------|-------------|--------------|
| A | 3.2 | 1.6 | 1.6 | 0.8 | 1.2 |
| B | 3.5 | 2.8 | 1.9 | 0.8 | 2.2 |
| C | 6.0 | 3.2 | 2.5 | 1.3 | 2.2 |
| D | 7.3 | 4.3 | 2.8 | 1.3 | 2.4 |