

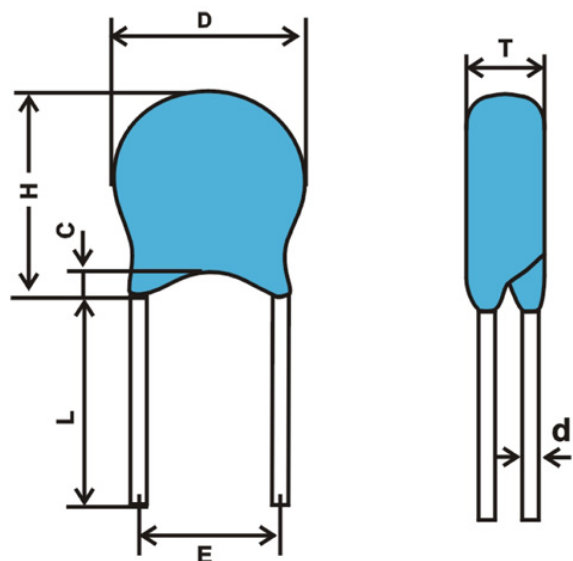
**VARISTORI**
**Varistore ø10 mm**

Codice Adimpex: **COT40035-R**

VARISTORI TSV-10D560K S 35VAC

Serie:TSV

p/n:TSV-10D560K 35VAC



| Codice Adimpex  | V <sub>eff</sub> AC rms (V) | V <sub>v</sub> @1.0 mA (V) |
|-----------------|-----------------------------|----------------------------|
| COT40011        | 11                          | 18                         |
| COT40014        | 14                          | 22                         |
| COT40017        | 17                          | 27                         |
| COT40020        | 20                          | 33                         |
| COT40025        | 25                          | 39                         |
| COT40030        | 30                          | 47                         |
| <b>COT40035</b> | 35                          | 56                         |
| COT40040        | 40                          | 68                         |
| COT40050        | 50                          | 82                         |
| COT40060        | 60                          | 100                        |
| COT40075        | 75                          | 120                        |
| COT40095        | 95                          | 150                        |
| COT40115        | 115                         | 180                        |
| COT40130        | 130                         | 200                        |
| COT40140        | 140                         | 220                        |

| Codice Adimpex | V <sub>eff</sub> AC rms (V) | V <sub>v</sub> @1.0 mA (V) |
|----------------|-----------------------------|----------------------------|
| COT40150       | 150                         | 240                        |
| COT40175       | 175                         | 270                        |
| COT40190       | 190                         | 300                        |
| COT40210       | 210                         | 330                        |
| COT40230       | 230                         | 360                        |
| COT40250       | 250                         | 390                        |
| COT40275       | 275                         | 430                        |
| COT40300       | 300                         | 470                        |
| COT40320       | 320                         | 510                        |
| COT40350       | 350                         | 560                        |
| COT40385       | 385                         | 620                        |
| COT40420       | 425                         | 680                        |
| COT40460       | 460                         | 750                        |
| COT40485       | 485                         | 780                        |
| COT40510       | 510                         | 820                        |

**CARATTERISTICHE**

- Tolleranza: ± 10% (K)
- Temperatura di lavoro: -40°C ÷ +85°C
- Temperatura di immagazzinaggio: -40°C ÷ +125°C
- Confezione: sciolti (standard).

**FEATURES**

- Tolerance: ± 10% (K)
- Operating temperature: -40°C ÷ +85°C
- Storage temperature: -40°C ÷ +125°C
- Packing: bulk (standard).

| Tipo | T max. (mm) | D max. (mm) | H max. (mm) | d ± 0.05 (mm) | E ± 0.8 (mm) | L min. (mm) | c max. (mm) |
|------|-------------|-------------|-------------|---------------|--------------|-------------|-------------|
| 05D  | 4.0 - 5.5   | 7.5         | 10.5        | 0.5           | 5            | 20          | 2.5         |
| 07D  | 4.5 - 6.0   | 10          | 12.5        | 0.5           | 5            | 20          | 2.5         |
| 10D  | 4.5 - 6.5   | 13.5        | 16          | 0.7           | 7.5          | 20          | 2.5         |
| 14D  | 4.5 - 6.5   | 17.5        | 20          | 0.7           | 7.5          | 20          | 2.5         |
| 20D  | 5.0 - 7.5   | 24          | 26.5        | 1.0           | 10           | 20          | 2.5         |