

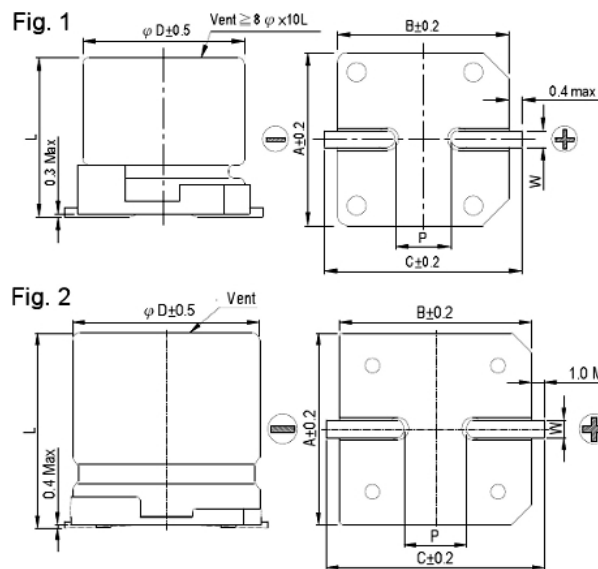
**CONDENSATORI ELETTROLITICI IN ALLUMINIO PER SMD**

**Serie VEJ (105°C)**

Codice Adimpex: **C1001025-R**

COND EL M 10uF 25V VEJ SMD 4x5.7

p/n:VEJ100M1ETR-0406



Dimensioni (mm)					
Ø D	L	A	B	C	
4	5.7 ± 0.3	4.3	4.3	5.1	
5	5.7 ± 0.3	5.3	5.3	5.9	
6.3	5.7 ± 0.3	6.6	6.6	7.2	
6.3	7.7 ± 0.3	6.6	6.6	7.2	
8	10 ± 0.5	8.4	8.4	9.0	
10	7.7 ± 0.3	10.4	10.4	11.0	
10	10 ± 0.5	10.4	10.4	11.0	
10	10.3 ± 0.5	10.4	10.4	11.0	
12.5	13.5 ± 0.5	13.0	13.0	13.7	
12.5	16 ± 0.5	13.0	13.0	13.7	
16	16.5 ± 0.5	17.0	17.0	18.0	
16	21.5 ± 0.5	17.0	17.0	18.0	
18	16.5 ± 0.5	19.0	19.0	20.0	
18	21.5 ± 0.5	19.0	19.0	20.0	

Tensione (V)	10	16	25	35	50	63	100
Capacità (uF) ± 20%	Codice Adimpex						
	Ø D x L   mA						
1.0							C10.1063
							4 x 5.7   8

2.2							<b>C10.2263</b> 4 x 5.7   12
3.3					<b>C10.3350</b> 4 x 5.7   14		<b>C10.3363</b> 5 x 5.7   17
4.7				<b>C10.4735</b> 4 x 5.7   17	<b>C10.4750</b> 5 x 5.7   20		<b>C10.4763</b> 6.3 x 5.7   22
10			<b>C1001025</b> 4 x 5.7   20	<b>C1001035</b> 5 x 5.7   27			<b>C1001063</b> 6.3 x 5.7   32
22	<b>C1002210</b> 4 x 5.7   22		<b>C1002225</b> 5 x 5.7   30		<b>C1002250</b> 6.3 x 5.7   38	<b>C1002263</b> 6.3 x 7.7   58	<b>C1002290</b> 8 x 10   100
33		<b>C1003316</b> 5 x 5.7   34		<b>C1003335</b> 6.3 x 5.7   46	<b>C1003350</b> 6.3 x 7.7   65	<b>C1003363</b> 8 x 10   140	<b>C1003390</b> 10 x 10   150
47	<b>C1004710</b> 5 x 5.7   38		<b>C1004725</b> 6.3 x 5.7   48		<b>C1004750</b> 6.3 x 7.7   70	<b>C1004763</b> 8 x 10   170	<b>C1004790</b> 12.5 x 13.5   250
100		<b>C1011016</b> 6.3 x 5.7   69	<b>C1011025</b> 6.3 x 7.7   100		<b>C1011050</b> 8 x 10   210	<b>C1011063</b> 10 x 10.3   310	<b>C1011090</b> 12.5 x 13.5   380
220		<b>C1012216</b> 6.3 x 10.3   120		<b>C1012235</b> 8 x 10   270	<b>C1012250</b> 10 x 10.3   330	<b>C1012263</b> 12.5 x 13.5   470	<b>C1012290</b> 16 x 16.5   450
330			<b>C1013325</b> 8 x 10   290	<b>C1013335</b> 10 x 10   370	<b>C0413350</b> 12.5 x 13.5   490	<b>C0413363</b> 16 x 16.5   650	<b>C1013390</b> 18 x 16.5   590
470	<b>C1014710</b> 8 x 10   290	<b>C1014716</b> 8 x 10.3   380	<b>C1014725</b> 10 x 10   380	<b>C1014735</b> 12.5 x 13.5   520	<b>C1014750</b> 12.5 x 16   550	<b>C1014763</b> 16 x 16.5   700	<b>C1014790</b> 18 x 21.5   980
1000	<b>C1021010</b> 10 x 10.3   410	<b>C1021016</b> 12.5 x 13.5   550	<b>C1021025</b> 12.5 x 16   550	<b>C1021035</b> 16 x 16.5   800	<b>C1021050</b> 18 x 16.5   990		
2200	<b>C1022210</b> 12.5 x 13.5   680		<b>C1022225</b> 16 x 16.5   900	<b>C1022235</b> 18 x 16.5   1050			
3300		<b>C1023316</b> 16 x 16.5   950	<b>C1023325</b> 18 x 16.5   1150				
4700	<b>C1024710</b> 16 x 16.5   1000	<b>C1024716</b> 18 x 16.5   1225	<b>C1024725</b> 18 x 21.5   1300				
6800	<b>C1026810</b> 18 x 16.5   1290						
8200	<b>C1028210</b> 18 x 21.5   1450						

Tensione (V)	160	200	250	400	450
Capacità (uF) ± 20%	Codice Adimpex ø D x L   mA				
3.3					<b>C70.3345</b> 12.5 x 13.5   40
4.7					<b>C70.4745</b> 12.5 x 13.5   45
10				<b>C7001040</b> 12.5 x 13.5   50	<b>C7001045</b> 12.5 x 16   75
22		<b>C7002220</b> 12.5 x 16   110	<b>C7002225</b> 12.5 x 13.5   105		<b>C7002245</b> 16 x 16.5   85
33	<b>C7003316</b> 12.5 x 13.5   95	<b>C7003320</b> 12.5 x 16   120	<b>C7003325</b> 16 x 16.5   180		<b>C7003345</b> 18 x 16.5   100
47			<b>C7004725</b> 16 x 16.5   220	<b>C7004740</b> 18 x 21.5   130	
100	<b>C7011016</b> 18 x 16.5   280		<b>C7011025</b> 18 x 16.5   260		

## CARATTERISTICHE

- Standard
- Gamma di temperatura: -40°C ÷ +105°C
- Durata test: 2.000 ore

## FEATURES

- Standard
- Operating temperature range: -40°C ÷ +105°C
- Test time: 2.000 hours