

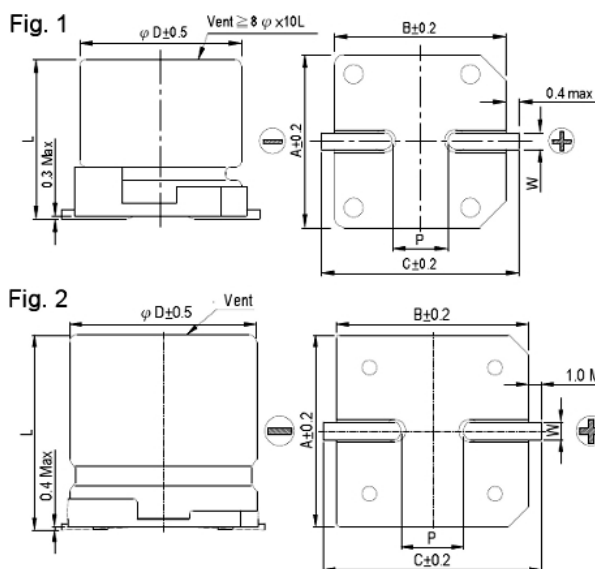
**CONDENSATORI ELETTROLITICI IN ALLUMINIO PER SMD**

**Serie VEJ (105°C)**

Codice Adimpex: **C10.2263-R**

COND EL M2.2uF 63V VEJ SMD 4x5.7

p/n:VEJ2R2M1JTR-0406



Dimensioni (mm)					
Ø D	L	A	B	C	
4	5.7 ± 0.3	4.3	4.3	5.1	
5	5.7 ± 0.3	5.3	5.3	5.9	
6.3	5.7 ± 0.3	6.6	6.6	7.2	
6.3	7.7 ± 0.3	6.6	6.6	7.2	
8	10 ± 0.5	8.4	8.4	9.0	
10	7.7 ± 0.3	10.4	10.4	11.0	
10	10 ± 0.5	10.4	10.4	11.0	
10	10.3 ± 0.5	10.4	10.4	11.0	
12.5	13.5 ± 0.5	13.0	13.0	13.7	
12.5	16 ± 0.5	13.0	13.0	13.7	
16	16.5 ± 0.5	17.0	17.0	18.0	
16	21.5 ± 0.5	17.0	17.0	18.0	
18	16.5 ± 0.5	19.0	19.0	20.0	
18	21.5 ± 0.5	19.0	19.0	20.0	

Tensione (V)	10	16	25	35	50	63	100
Capacità (uF) ± 20%	Codice Adimpex						
	Ø D x L   mA						
1.0							C10.1063
							4 x 5.7   8

2.2					<b>C10.2263</b>	4 x 5.7   12
3.3				<b>C10.3350</b>	<b>C10.3363</b>	4 x 5.7   14 5 x 5.7   17
4.7			<b>C10.4735</b>	<b>C10.4750</b>	<b>C10.4763</b>	4 x 5.7   17 5 x 5.7   20 6.3 x 5.7   22
10		<b>C1001025</b>	<b>C1001035</b>		<b>C1001063</b>	4 x 5.7   20 5 x 5.7   27 6.3 x 5.7   32
22	<b>C1002210</b>	<b>C1002225</b>		<b>C1002250</b>	<b>C1002263</b>	<b>C1002290</b>
	4 x 5.7   22	5 x 5.7   30		6.3 x 5.7   38	6.3 x 7.7   58	8 x 10   100
33		<b>C1003316</b>	<b>C1003335</b>	<b>C1003350</b>	<b>C1003363</b>	<b>C1003390</b>
		5 x 5.7   34	6.3 x 5.7   46	6.3 x 7.7   65	8 x 10   140	10 x 10   150
47	<b>C1004710</b>	<b>C1004725</b>		<b>C1004750</b>	<b>C1004763</b>	<b>C1004790</b>
	5 x 5.7   38	6.3 x 5.7   48		6.3 x 7.7   70	8 x 10   170	12.5 x 13.5   250
100		<b>C1011016</b>	<b>C1011025</b>	<b>C1011050</b>	<b>C1011063</b>	<b>C1011090</b>
		6.3 x 5.7   69	6.3 x 7.7   100	8 x 10   210	10 x 10.3   310	12.5 x 13.5   380
220		<b>C1012216</b>	<b>C1012235</b>	<b>C1012250</b>	<b>C1012263</b>	<b>C1012290</b>
		6.3 x 10.3   120	8 x 10   270	10 x 10.3   330	12.5 x 13.5   470	16 x 16.5   450
330		<b>C1013325</b>	<b>C1013335</b>	<b>C0413350</b>	<b>C0413363</b>	<b>C1013390</b>
		8 x 10   290	10 x 10   370	12.5 x 13.5   490	16 x 16.5   650	18 x 16.5   590
470	<b>C1014710</b>	<b>C1014716</b>	<b>C1014725</b>	<b>C1014735</b>	<b>C1014750</b>	<b>C1014763</b>
	8 x 10   290	8 x 10.3   380	10 x 10   380	12.5 x 13.5   520	12.5 x 16   550	16 x 16.5   700
1000	<b>C1021010</b>	<b>C1021016</b>	<b>C1021025</b>	<b>C1021035</b>	<b>C1021050</b>	
	10 x 10.3   410	12.5 x 13.5   550	12.5 x 16   550	16 x 16.5   800	18 x 16.5   990	
2200	<b>C1022210</b>	<b>C1022225</b>	<b>C1022235</b>			
	12.5 x 13.5   680	16 x 16.5   900	18 x 16.5   1050			
3300		<b>C1023316</b>	<b>C1023325</b>			
		16 x 16.5   950	18 x 16.5   1150			
4700	<b>C1024710</b>	<b>C1024716</b>	<b>C1024725</b>			
	16 x 16.5   1000	18 x 16.5   1225	18 x 21.5   1300			
6800	<b>C1026810</b>					
	18 x 16.5   1290					
8200	<b>C1028210</b>					
	18 x 21.5   1450					

Tensione (V)	160	200	250	400	450
Capacità (uF) ± 20%	Codice Adimpex ø D x L   mA				
3.3					<b>C70.3345</b>
					12.5 x 13.5   40
4.7					<b>C70.4745</b>
					12.5 x 13.5   45
10				<b>C7001040</b>	<b>C7001045</b>
				12.5 x 13.5   50	12.5 x 16   75
22		<b>C7002220</b>	<b>C7002225</b>		<b>C7002245</b>
		12.5 x 16   110	12.5 x 13.5   105		16 x 16.5   85
33	<b>C7003316</b>	<b>C7003320</b>	<b>C7003325</b>		<b>C7003345</b>
	12.5 x 13.5   95	12.5 x 16   120	16 x 16.5   180		18 x 16.5   100
47			<b>C7004725</b>	<b>C7004740</b>	
			16 x 16.5   220	18 x 21.5   130	
100	<b>C7011016</b>		<b>C7011025</b>		
	18 x 16.5   280		18 x 16.5   260		

## CARATTERISTICHE

- Standard
- Gamma di temperatura: -40°C ÷ +105°C
- Durata test: 2.000 ore

## FEATURES

- Standard
- Operating temperature range: -40°C ÷ +105°C
- Test time: 2.000 hours